



# The 808 SL furler, classic simplicity combined with big boat performance

**Max system length: 67' • For boats from 34' to 46' (10-14m)**

Combining a proven design with state-of-the-art materials, the 808 SL furler is a user friendly, single line furling and reefing system designed for larger boats that is both reliable and virtually maintenance free.



Machined aluminium top cap

Teflon™ (PTFE) coated hard anodized

Stainless steel and Torlon™ spherical bearings

Sculpted high load halyard swivel

Corrosion resistant fasteners (black oxide coated)

Stainless sailfeed with Verti-Hoist™ technology

Titanium oxide coated tack socket pin

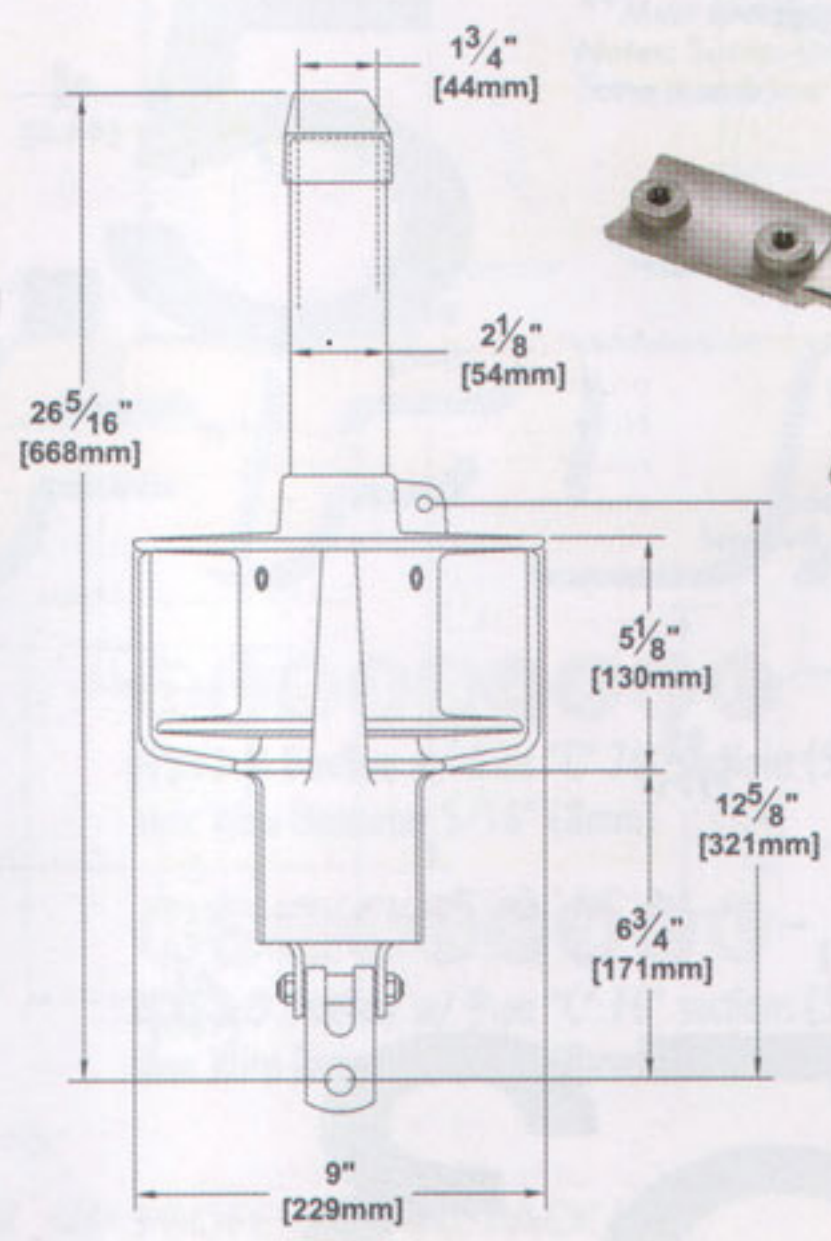
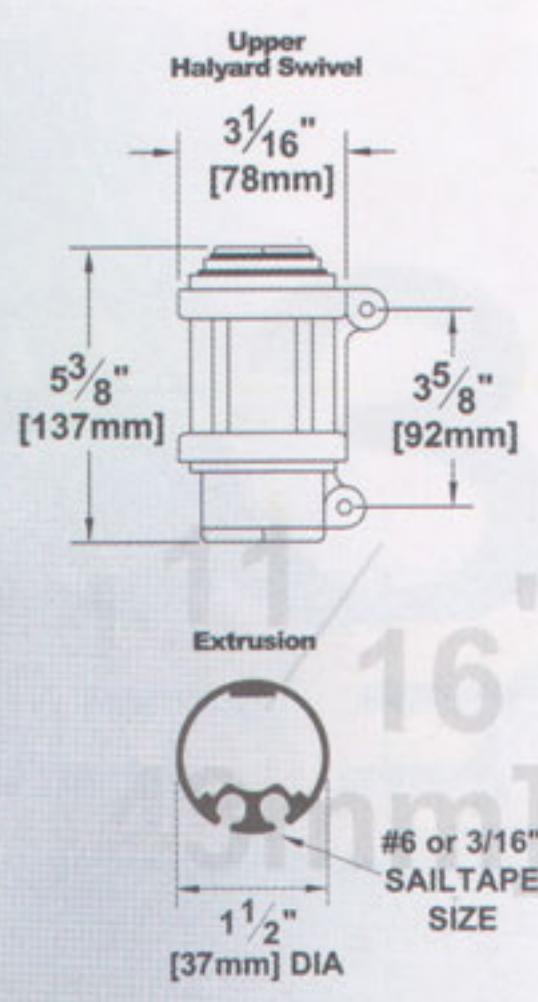
Turnbuckle tube fits over existing turnbuckle

Teflon™ (PTFE) coated hard anodized

Open cage design

Stainless steel and Torlon™ bearings in machined hardened spherical races

Short or long heavy duty link plates for high torsional load



### Wire Diameter 1x19ss

- 5/16" (8mm)
- 3/8" (10mm)
- 7/16" (11mm)\*

### Rod sizes - 10 - 12 - 17 - 22

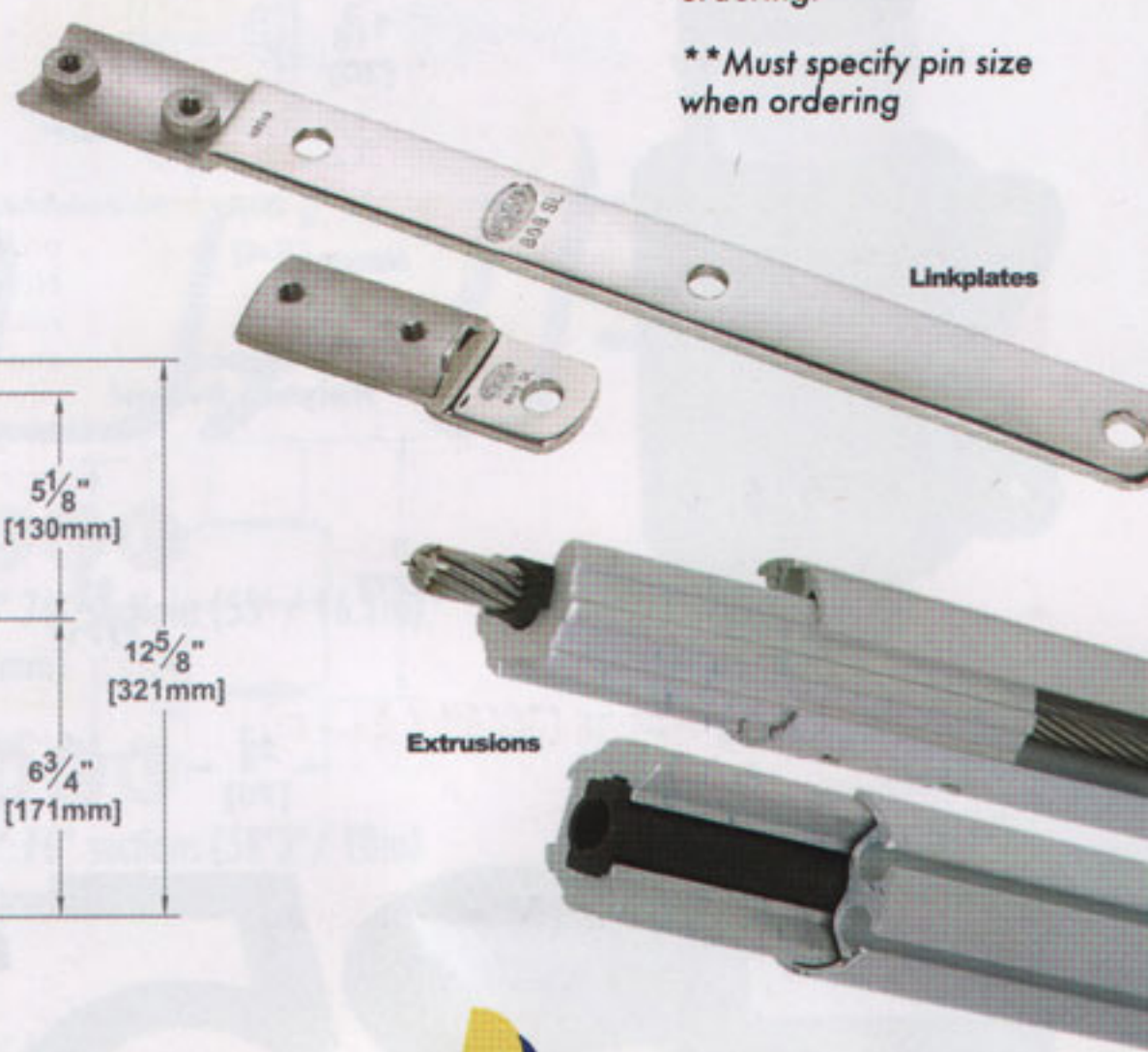
### Clevis pin diameter\*\*

- 1/2" (12.7mm)
- 5/8" (16mm)
- 3/4" (19mm)

**Notes:** System fits over existing headstays with swage stud style turnbuckles. Some marine eye or mechanical fittings may require removal or re-installation.

\*7/16 (11mm) requires special bearings liners, please specify when ordering.

\*\*Must specify pin size when ordering



# 808 SL-FURLER

## **NEW** PROFESSIONAL PACKAGE Complete Installation kit H9500PPxxxxxx

Includes: H9500 HLBK-03, H2268, HRS-2 and complete headstay with turnbuckle and mechanical fitting. Consult Hood Price List for size, wire size and pin and length options.

### Installation Accessories

- |          |   |
|----------|---|
| HFL12-80 | Furling Line 3/8"x80'   |
| H9547-16 | 1/2" (12.7mm) Toggle Pin w/nut                                    |
| H9547-20 | 5/8" (16mm) Toggle Pin w/nut                                      |
| H9547-24 | 3/4" (19mm) Toggle Pin w/nut                                      |
| HRS-2    | Halyard Restrainer (when required)                                |
| H6866    | Single Stanchion Block  |
| H2268    | Sail Pre-feeder   |
| HLBK-3   | Lead Block kit: 4xH6866 and 1xHFL12-80                            |
| H9549    | Long Link Plates (11")  |
| H9503-12 | 76" (1.93m) Luff extrusion w/connector and bearing for 3/8" wire  |
| H9503-14 | 76" (1.93m) Luff extrusion w/connector and bearing for 7/16" wire |

- H9500-8**  
808 Furler w/ 8 sections (54' / 16.4m)
- H9500-9**  
808 Furler w/ 9 sections (60'6" / 18.4m)
- H9500-10**  
808 Furler w/ 10 sections (67' / 20.4m)



Upper Halyard Swivel

Photo credits: Helsen Signature 47 Specifications subject to change without notice