

Big performance in a easy-to-install small boat furler

Max system length: 33' • For boats from 18' to 26' (6-8m)

Incorporating all the design experience and quality of HOOD Yacht Systems, the SEA FLEX furler is a flexible, easy-to-fit plastic furler created with the needs and budget of smaller dayboat sailors in mind.



SeaFlex

Wire Diameter 1x19ss

- 1/8(3mm)
- 5/32(4mm)
- 3/16(5mm)

Clevis pin diameter**

- 1/4"(6mm)
- 5/16"(8mm)
- 3/8" (9.5mm)

Rod sizes - 4

H10000 system ships with all 3 pins

Notes: System fits over existing headstays with swage stud style turnbuckle. 3/8" swage studs rod and marine eye style fittings will require cutting and installation of mechanical fittings (not included).

NEW **PROFESSIONAL PACKAGE**
Complete Installation kit
H10000PPxxxxxxx

Includes: H10000 Furler, LBK-1, H2269, HRS-1 and headstay. Consult Hood Price List for size, wire size and pin and length options.

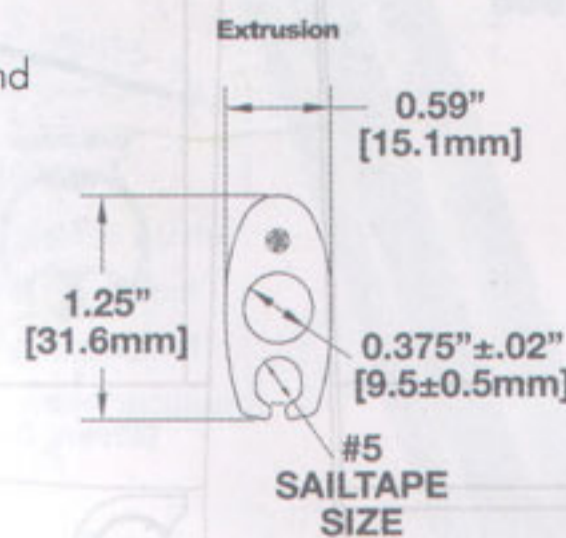
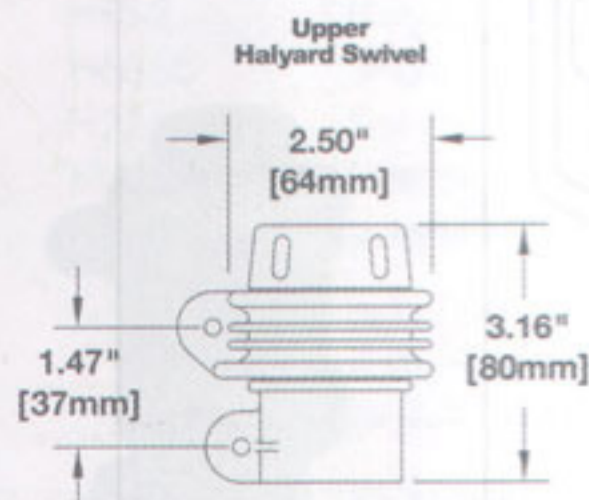
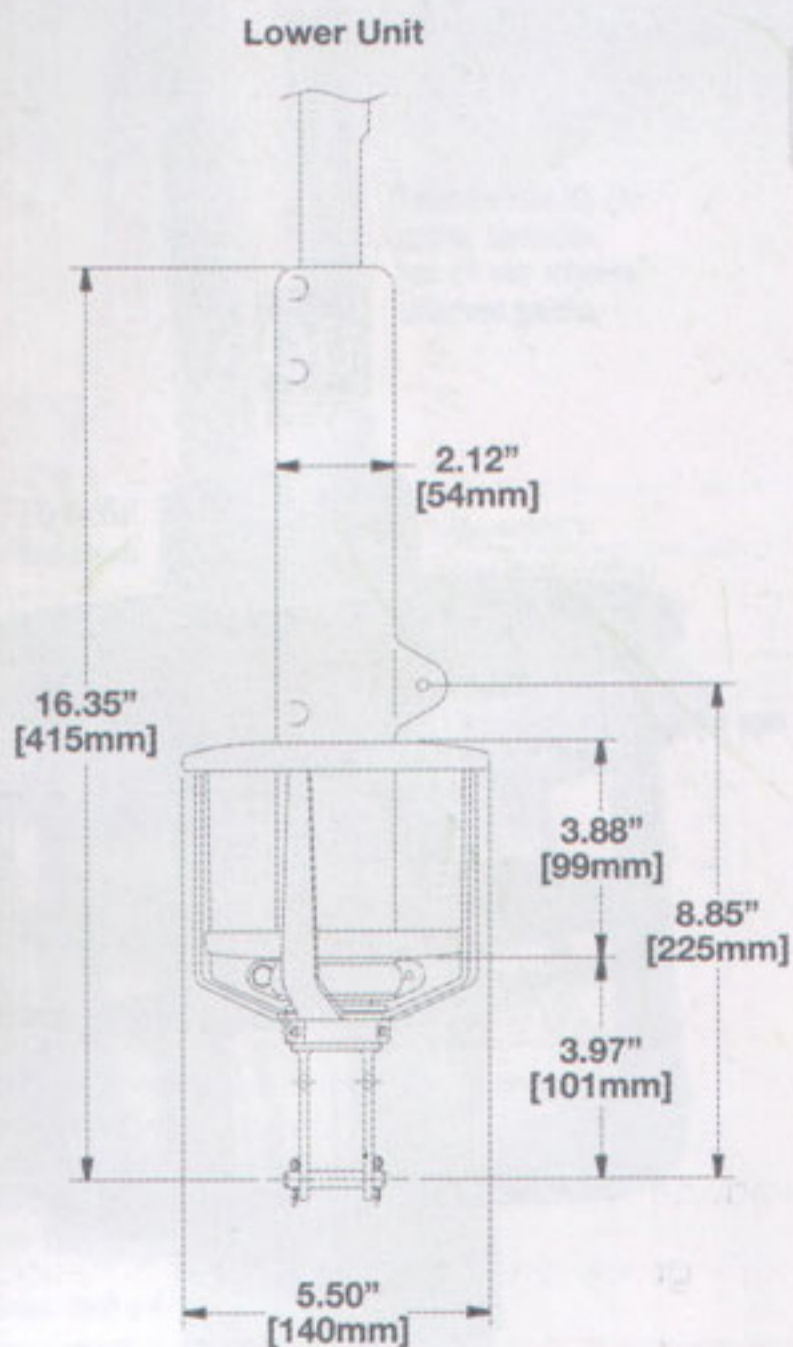
H10000

Seaflex Furler w/extrusion drive-unit + swivel

Max headstay length 33' (10m) pin-to-pin

Installation Accessories

- HFLO8-35 Furling Line 1/4"x35'
- HEJT-08 Toggle- Eye Jaw 1/4" Pin - For trailering application
- HEJT-10 Toggle- Eye Jaw 5/16" Pin - For trailering application
- HEJT-12 Toggle- Eye Jaw 3/8" Pin - For trailering application
- HRS-1 Halyard Restrainer
- H6866 Single Stanchion Block
- HSLFAIRLEAD Stanchion Mounted Bulls-eye Fairlead
- H2269 Sail Pre-feeder
- HLBK-1 Lead Block kit:
3xHSLFAIRLEAD, 1xH6866 and
1xHFLO8-35



Flexible single piece plastic extrusion

Tapered drive unit for clean sail entry

Removable drum covers and guard for performance sailing

Spherical low barrels

Universal clevis mounting

Photo credits: Helsen Signature 47
Specifications subject to change without notice