

Hydraulic Sea Furl-5 a powerful answer to the performance needs of bigger yachts

for Yachts from 32' to 120'

Hood gives a powerful solution to the needs of larger yachts. The HYDRAULIC SEA FURL is adaptable to any sailing needs, while offering the lowest tack height of any system on the market. It is unsurpassed in terms of efficiency and reliability, can be used with any hydraulic system, and has the lowest tack system you can buy.



FEATURES

- Variable gear ratio for custom fit to your sailing needs.
- Self locking gear encased in oil bath for increased efficiency and reliability.
- Headstay is adjustable with SEA FURL in place.
- Compatible with any hydraulic system on the market.
- Lowest tack height off deck of any system currently available.
- Custom painted cast aluminum housing.
- 5 year warranty.

Hydraulic SEA FURL-5

| Dimensions | A | B | C | D | E |
|------------|-------------|-----------|--------------|-------------|--------------|
| Model 3250 | 133/4"-35cm | 28"-71cm | 4 1/4"-10cm | 8"-20cm | 9 1/2"-24cm |
| Model 4880 | 17"-43cm | 33"-84cm | 5 1/2"-14cm | 8 3/4"-22cm | 11 1/4"-29cm |
| Model 8012 | 27"-69cm | 62"-157cm | 10 1/4"-26cm | 18"-30cm | 15 1/2"-39cm |

H3250HYD-10DD

3250 Hydraulic drive unit w/ 10DD extrusions (65' / 19.8m)
Max wire diameter 7/16" (12mm)

H4880HYD-10DD

4880 Hydraulic drive unit w/ 10DD extrusions (65' / 19.8m)
Max wire diameter 7/16" (12mm)

H4880HYD-11EE

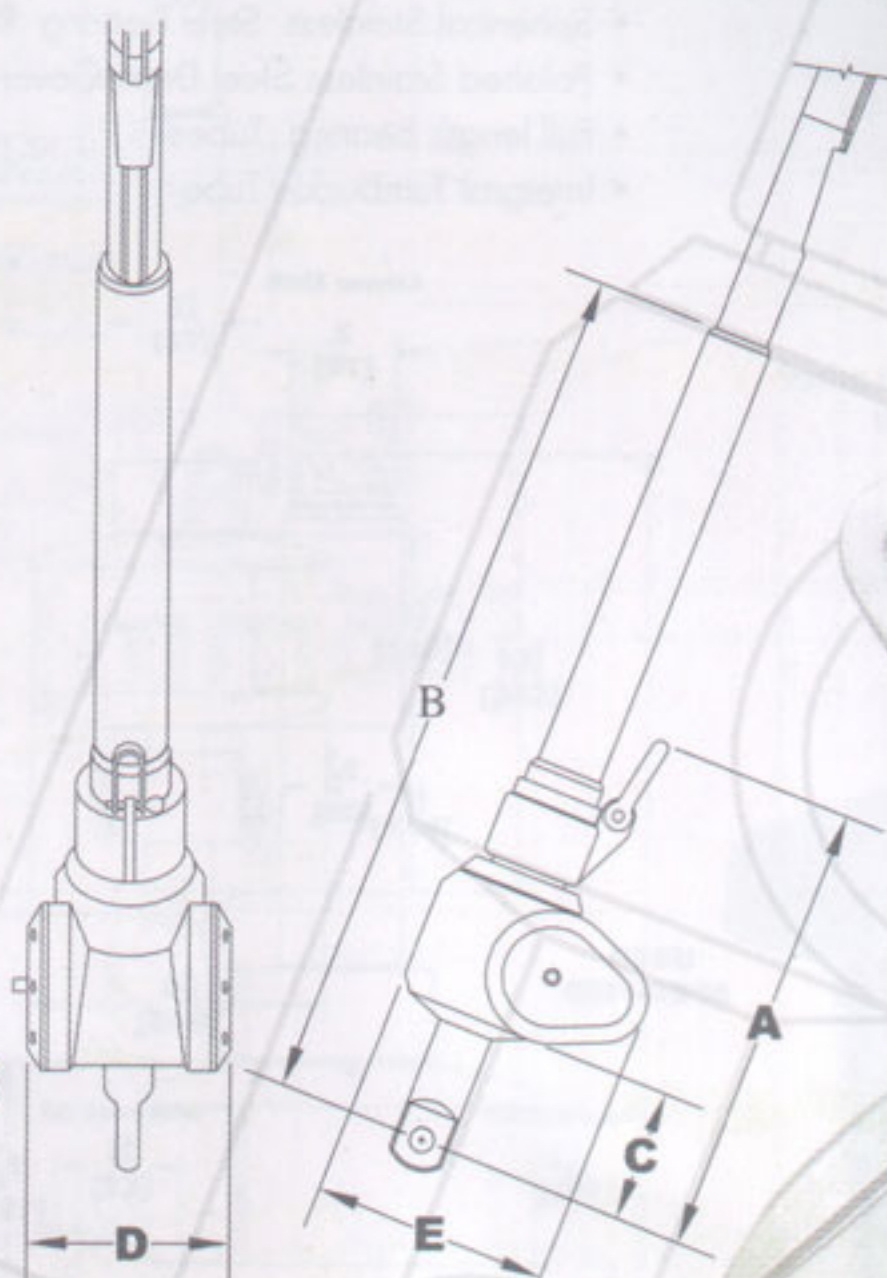
4880 Hydraulic drive unit w/ 11EE extrusions (71' / 21.6m)
Max wire diameter 9/16" (14mm)

H4880HYD-6FF

4880 Hydraulic drive unit w/ 6FF extrusions (108' / 33m)
Max wire diameter 3/4" (14mm)

H8012HYD-7G

8012 (G) Hydraulic drive unit w/ 7G extrusions (143' / 43.5m)
Max wire diameter 1 3/8" (34mm)



Upper halyard swivel



Extrusion

Photo credits: Helsen Signature 47
Specifications subject to change without notice