



488 Seafurl-5 the next generation in high performance furling systems for big boats

A big solution for big yachts, the 488 SEA FURL-5 combines ease of maintenance and with unsurpassed longevity and ease of use. It is the most advanced, highest quality furling and reefing system for big boats on the market today.

Teflon™ (PTFE) coated hard anodized



Upper Halyard Swivel

Wire Diameter 1x19ss

- 7/16" (11mm-12mm)
- 1/2" - 9/16" (14mm)
- 5/8" (16mm)
- 3/4" (19mm)

Clevis pin diameter**

- 3/4" (19.1mm)
- 7/8" (22.2mm)
- 1.0" (25.4mm)
- 1.1/8" (28.6mm)
- 1.1/4" (31.8mm)

Notes: System fits over existing headstays with swage stud style turnbuckles. Some marine eye or mechanical fittings may require removal or re-installation..

Rod sizes

- 22 - 30 - 40 - 48 - 60



Extrusions

H488 SEAFURL-5

FEATURES

- Hybrid 3/8" Stainless Steel and 5/16" Torlon Bearings
- Spherical Stainless Steel bearing Races
- Polished Stainless Steel Drum Cover
- Full length Bearing Tubes
- Integral Turnbuckle Tube

Corrosion resistant fasteners (black oxide coated)

H488-10DD

Fits 7/16" (12mm) wire - 22 Rod
Std. length 68' (20.7m)

H488-11EE

Fits 7/16" (12mm) - 9/16" (14mm) wire - 22 - 30 Rod
Std. length 75' (22.8m)

H488-5FF

Fits 3/4" (19mm) wire - 60 Rod
Std. length 93' (28.3m)



Removable stainless steel drum cover for performance sailing

Short or long heavy duty link plates for high torsional load

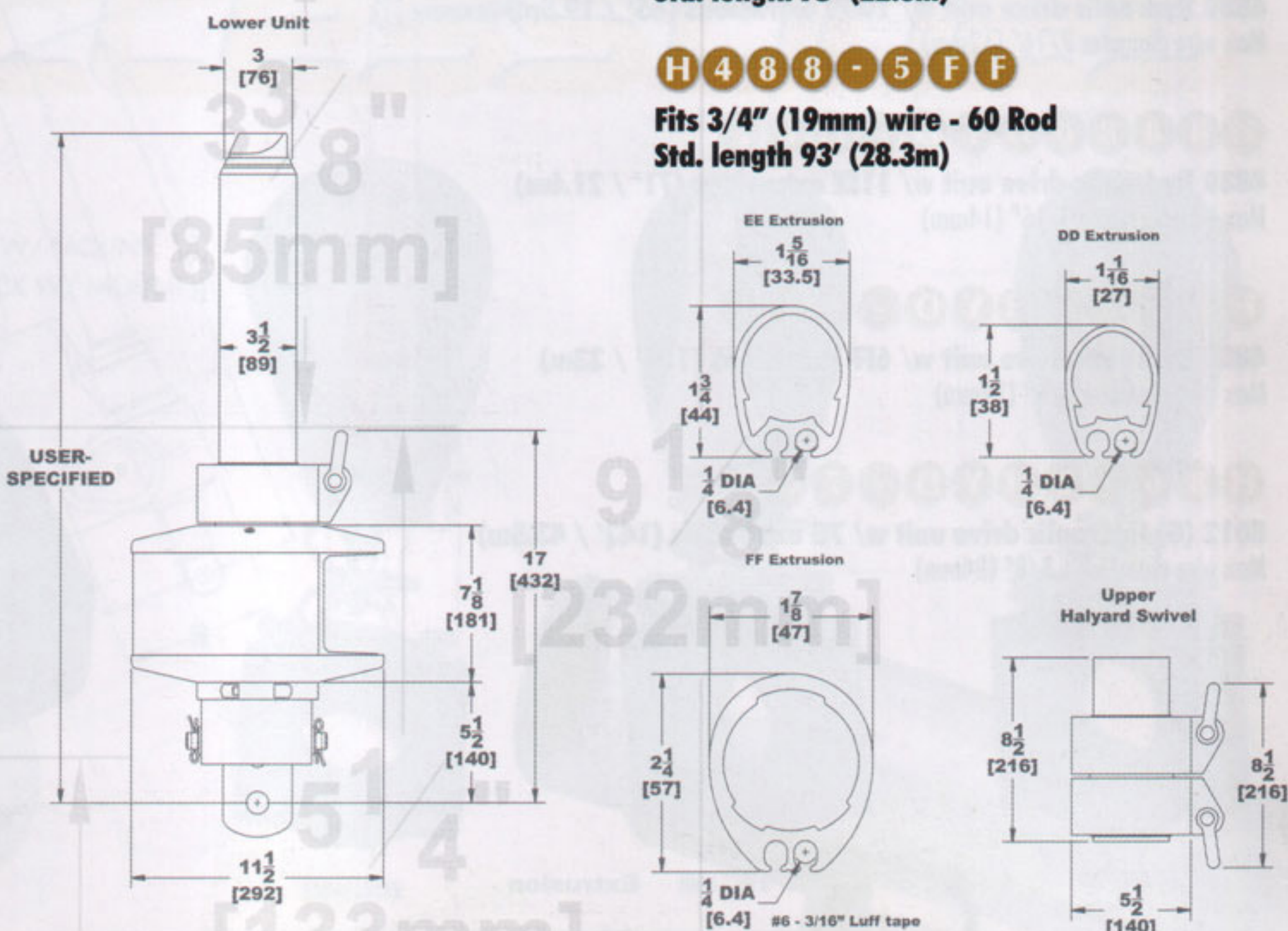


Photo credits: Helsen Signature 47
Specifications subject to change without notice