



Setting the standard for high performance at an Attractive Price

Max system length: 53'8" • For boats from 34' to 39' (9-11m)

A hybrid between our single line systems and the SEA FURL 5, it is designed to fit 5/16" wire but does not include the independent tack and head swivel options. It offers the rugged durability and lifetime warranty that have made this collection the most value-oriented systems available.

Wire Diameter 1x19ss

5/16" (8mm)

9/32" (8mm)

Rod sizes - 8 - 10

Clevis pin diameter**

1/2" (12.7mm)

** Must specify pin size

Notes: System fits over existing headstays with swage stud style turnbuckles. Some marine eye or mechanical fittings may require removal or re-installation..

H253.5 SEAFURL-5

H253.5-8CC

H253.5 Furler w/ 6 ea "C" 76" sections (53' / 16.1m)

Max Wire Diameter 5/16" (8mm)

H253.5-9CC

H253.5 Furler w/ 9 ea "C" 76" sections (59'3" / 18m)

Max Wire Diameter 5/16" (8mm)

NEW

PROFESSIONAL PACKAGE

Complete Installation kit

H253.5PPxxxxxx

Includes: H253, HLBK-02, H2269, HRS-2 and complete headstay with turnbuckle and mechanical fitting.

Consult Hood Price List for size, wire size and pin and length options.

Installation Accessories

- | | |
|-----------|--|
| H9092-1 | 76" (1.93m) CC Luff extrusion w/connector, bearing liner and fasteners |
| HFL10-55 | Furling Line 5/16"x55' |
| H9268-16 | H253 - 1/2" Toggle/eye assembly |
| HRS-2 | Halyard Restrainer (when required) |
| HSAIRLEAD | Stanchion mounted Bulls-eye Fairlead |
| H6866 | Single Stanchion Block |
| H2269 | Small Sail Pre-feeder |
| HLBK-2 | Lead Block kit: 3xHSLFAIRLEAD, 2xH6866 and 1xHFL10-55 |

Twin groove air foil shaped extrusion

Removable stainless steel sailfeeder

Turnbuckle tube fits over existing turnbuckle

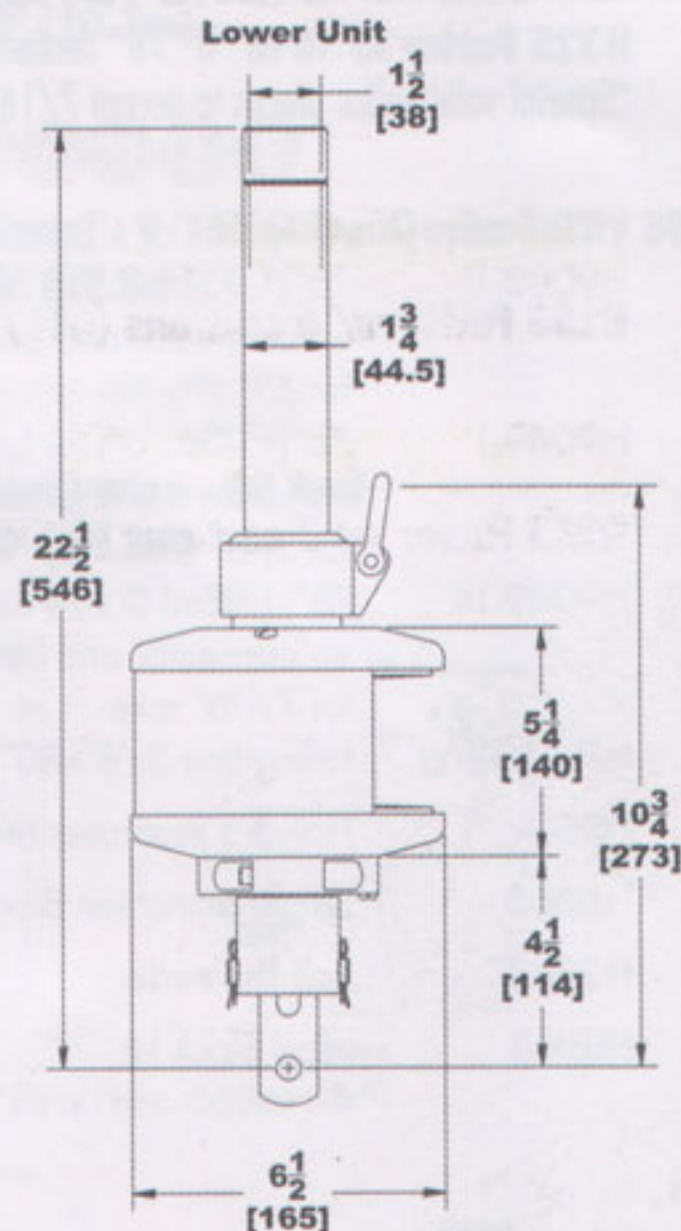
Fixed tack fitting

Removable stainless steel drum cover for performance sailing

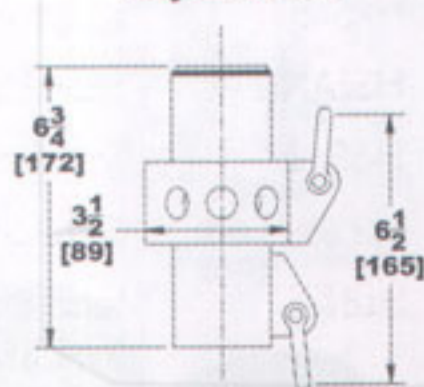
Stainless steel and Teflon® spherical bearings

Universal clevis mounting

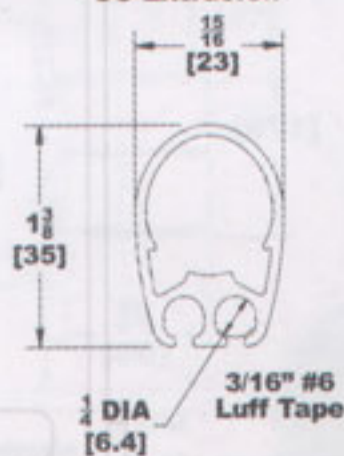
Extrusion



Upper Halyard Swivel



CC Extrusion



stainless Steel Feeders



Photo credits: Helsen Signature 47
Specifications subject to change without notice