

Custom Ports & Hatches Of Any Size...

Priced To Fit Your Pocket.

All of our traditional ports and hatches are hand-fabricated, so we can make custom sizes at a truly affordable price, as long as the corner bending radius is unchanged from our dies.



FEATURES

- 316 stainless steel machined rolled frames.
- Cast 316 stainless steel hinges with set screw to adjust gasket pressure.
- Weather resistant gasket.
- High Strength tempered glass (Ports)
- High Strength acrylic (Hatches)
- CE approval available. Please specify when ordering

Custom PORTS & HATCHES

To quote custom ports, we need to know:

- Port Style
Rectangular: H6547-XXX - Oval: H6548-XXX
- Cut Out Dimension Required (AxB)
- Spigot Style
Angled (A) - Straight (S)
- Hull Thickness/Spigot Length
- Glass Style (Clear or Smoked)
- Trim Ring Style (Standard, Thru-Bolt, or Hidden)
- Latch Knob Style (Standard Composite or Welded loop)
- Screens (Yes or No)

To quote custom hatches, we need to know:

- Custom Hatch: H6550-XXX
- Cut Out Dimension Required (AxB)
- Opening Style (Standard or Double)
- Opening Style (Inside or Outside Opening)
- Outside Hasp Option for Padlocks

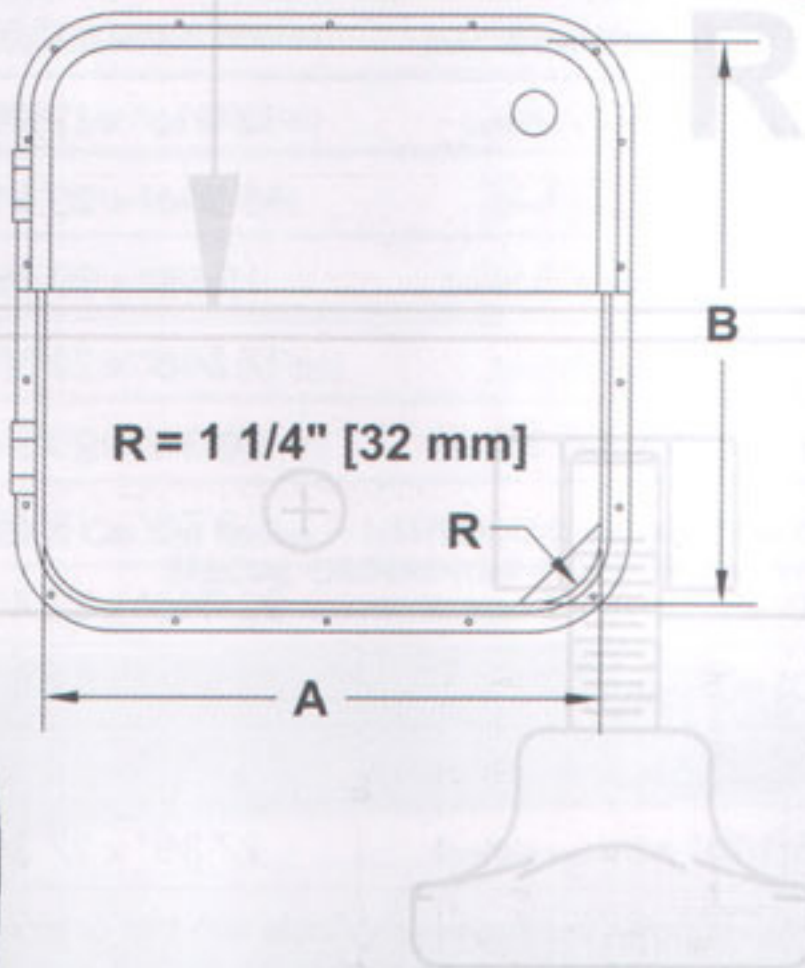
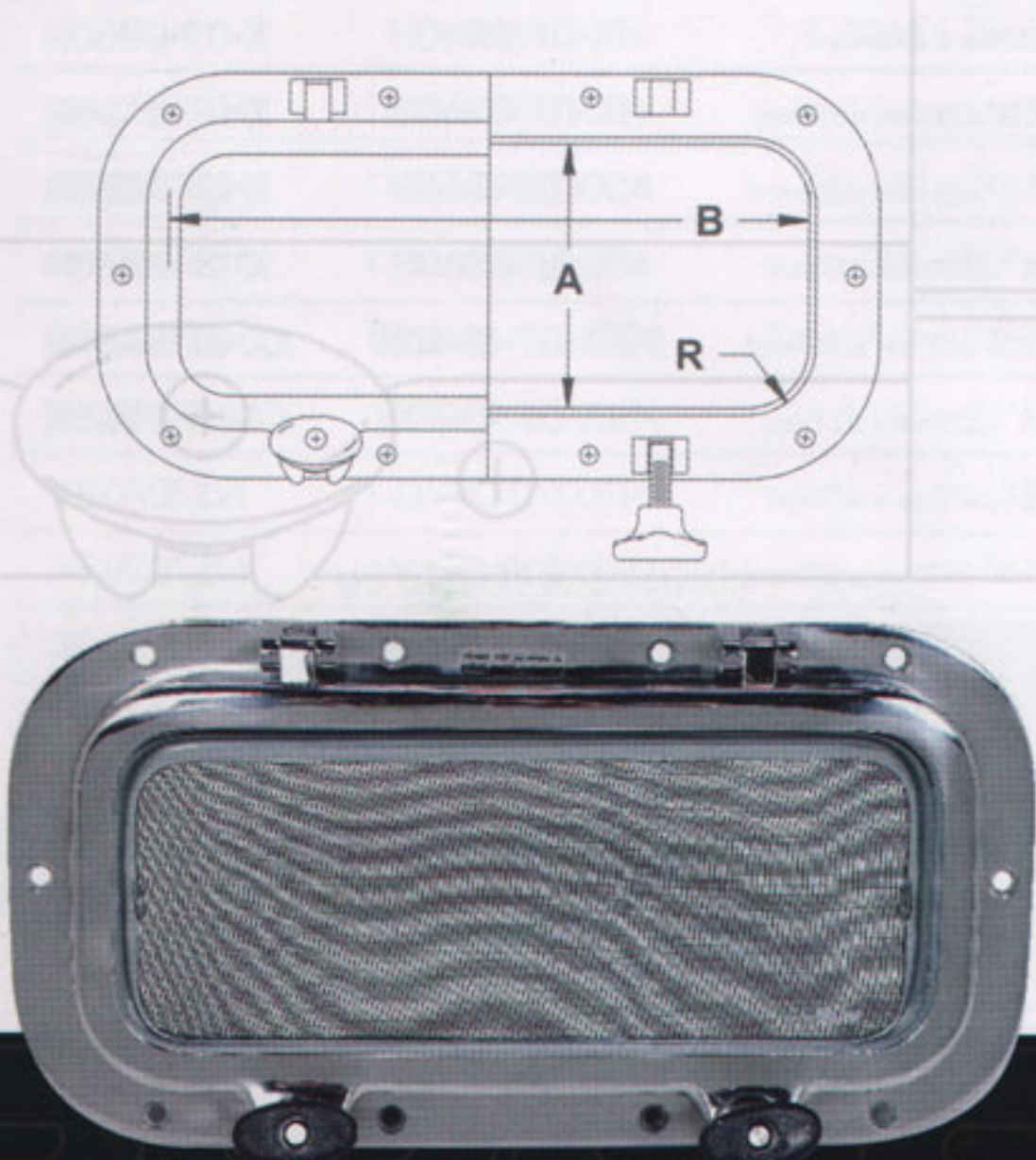


Photo credits: Helsen Signature 47
Specifications subject to change without notice